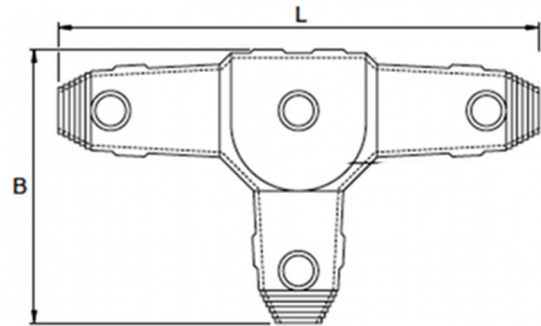


# RCTM – Cast Resin Branching T-Shaped Splicing Joint

Universally suitable for branching and connecting low voltage polymeric; PVC, XLPE, PE, VPE, EPR and rubber insulated cables. It is suitable for 3-way branching of electrical cables, control cables, and instrumentation cables. The casings are designed to provide sufficient space for use with split bolt connectors, T-shaped branching compression splices and other mechanical branching connectors

## PRODUCT DIMENSIONS



Product Part Number		Casing Dimensions	Cable Entry
With RCGA Resin	With RCGA-B Resin	L x B x H (mm)	Overall Diameter (mm)
RCTM-A-1-E	RCTM-B-1-E	240 x 140 52	9.0 to 22.0
RCTM-A-2-E	RCTM-B-2-E	270 x 164 77	17.0 to 30.0

Product Part Number		Low Voltage XLPE/PVC insulated Cable								
With RCGA Resin	With RCGA-B Resin	Max. Cross Section Per Conductor mmsq								
Resin	Resin	Unarmored					Armored			
		1-c	2-c	3-c	4-c		1-c	2-c	3-c	4-c
RCTM-A-1-E	RCTM-B-1-E	120	16	16	10		95	16	10	10
RCTM-A-2-E	RCTM-B-2-E	300	70	70	50		185	50	35	25